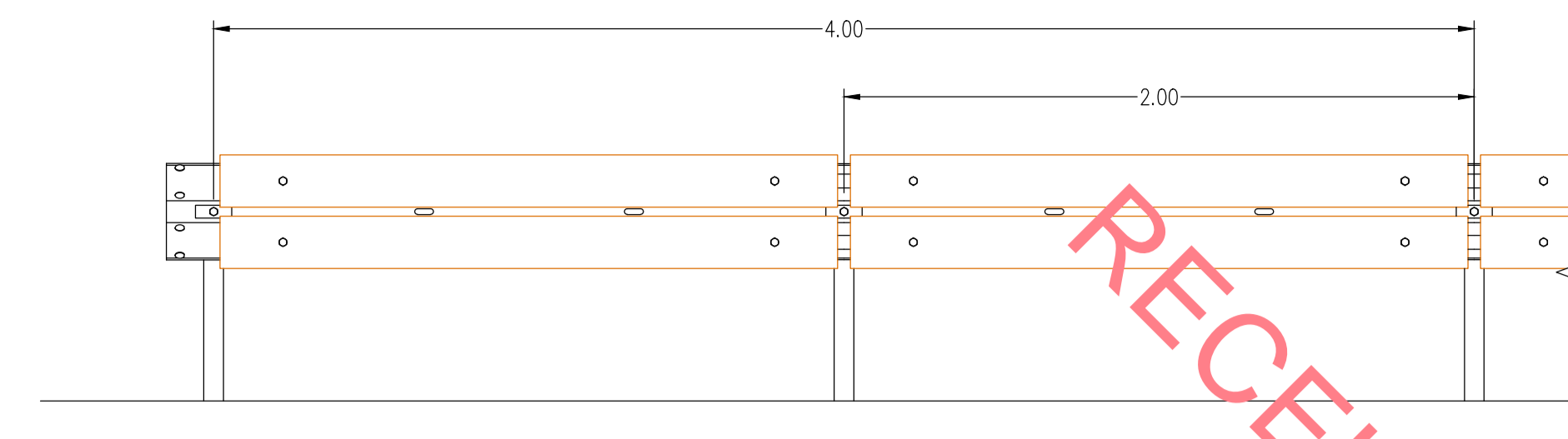
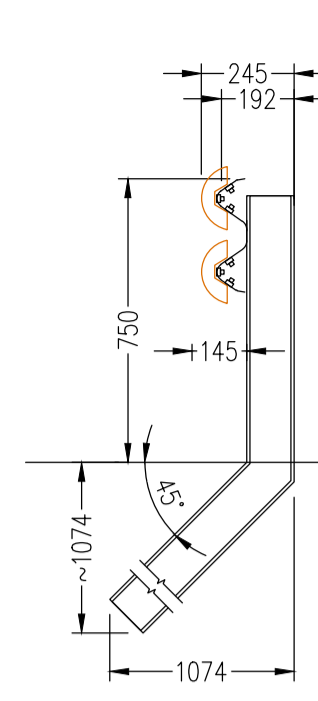
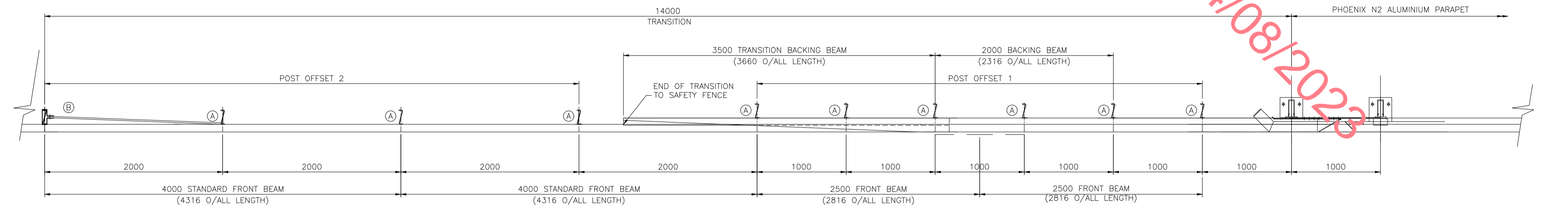


PROPOSED N2/W2 STEEL VEHICLE RESTRAINT BARRIER.
SCALE 1:20

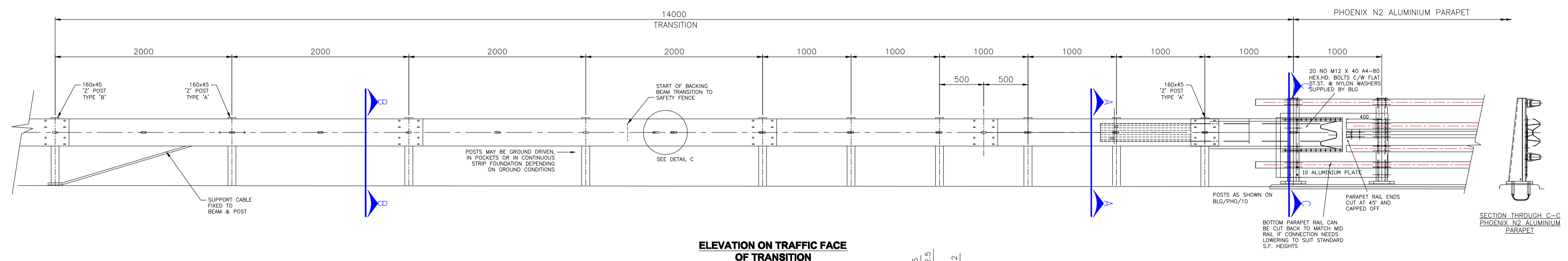
TRAFFIC FLOW →



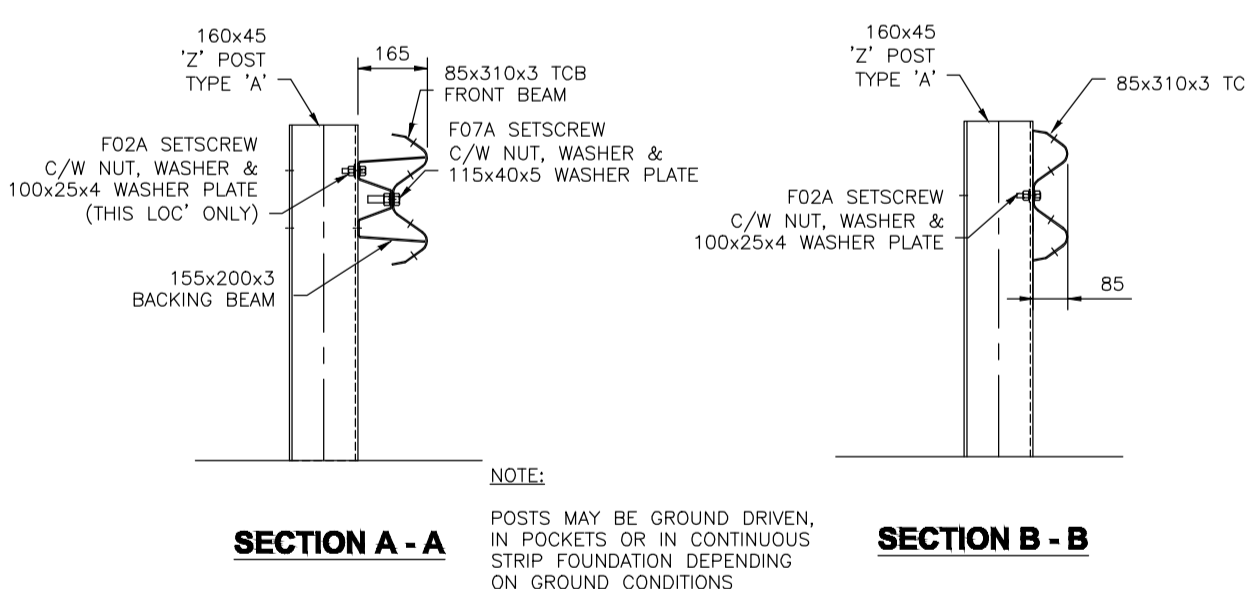
PROPOSED N2/W2 STEEL/TIMBER VEHICLE RESTRAINT BARRIER.
SCALE 1:20



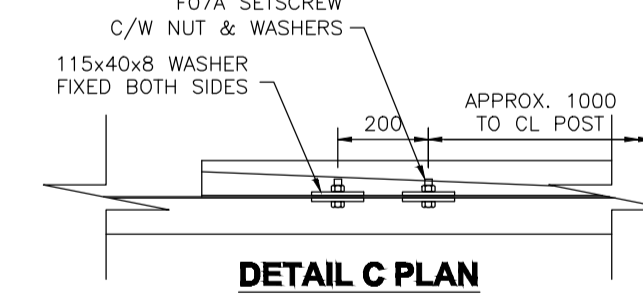
PLAN VIEW OF TRANSITION



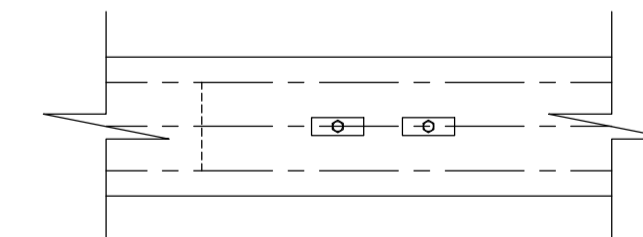
ELEVATION ON TRAFFIC FACE OF TRANSITION



PROPOSED TRANSITION BETWEEN STEEL BARRIER AND BRIDGE PARAPET.
SCALE NTS

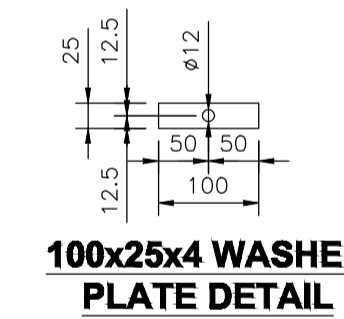


DETAIL C PLAN

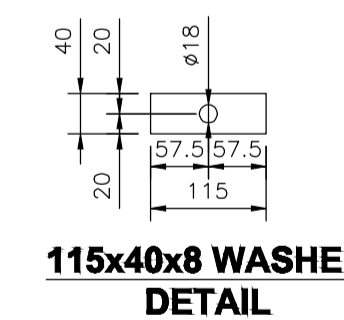


DETAIL C ELEVATION

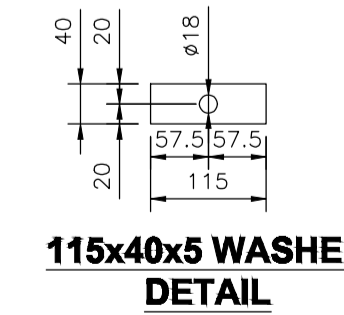
POST FACE OFFSETS FROM FACE OF BEAM	
OFFSET TYPE	OFFSET (mm)
1	165
2	85



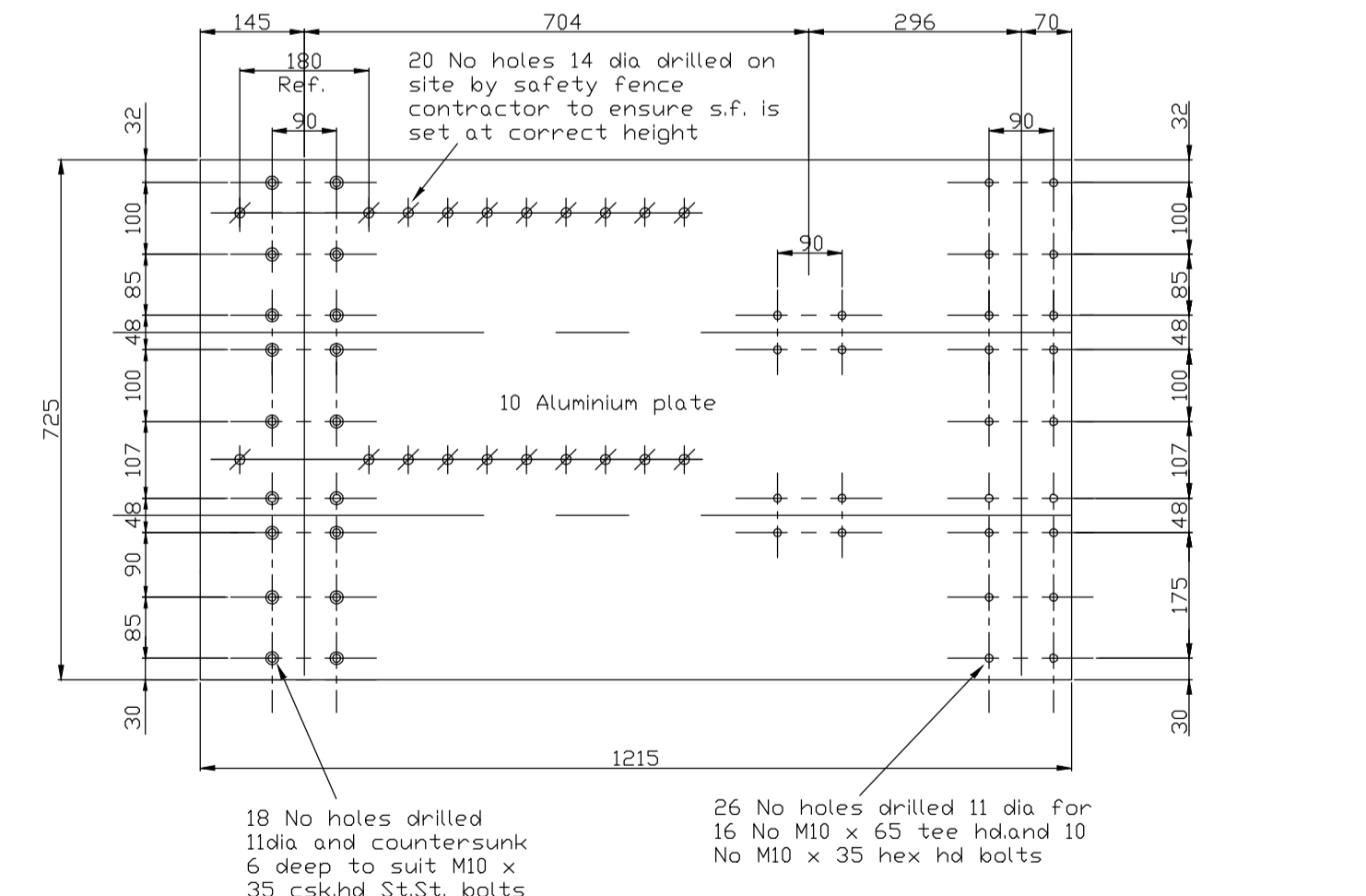
100x25x4 WASHER PLATE DETAIL



115x40x8 WASHER DETAIL



115x40x5 WASHER DETAIL



CONNECTION PLATE TYPICAL DETAIL

DRAWINGS REFERENCES:

- REFER TO DRAWING A034-CSC-ZZ-XX-DR-C-0025 FOR BRIDGE AND CULVERT ARRANGEMENT
- REFER TO DRAWING A034-CSC-ZZ-XX-DR-C-0043-0044 FOR BARRIER LOCATIONS.

PLANNING DRAWING.
NOT FOR CONSTRUCTION.
ALL LEVELS GIVEN ARE
RELATIVE TO ORDNANCE DATUM.
THIS DRAWING HAS BEEN ISSUED FOR INFORMATION
PURPOSES ONLY AND MUST NOT BE USED
FOR CONSTRUCTION UNDER ANY CIRCUMSTANCES

- NOTES**
- For setting out refer to Architect's drawings.
 - This drawing to be read in conjunction with all other Architectural and Engineering drawings and all other relevant drawings and Specifications.
 - DO NOT SCALE THIS DRAWING. Use figured dimensions only.
 - No part of this document may be reproduced or transmitted in any form or stored in any retrieval system of any nature without the written permission as copyright holder except as agreed for use on the project for which the document was originally issued.
 - Ordnance Survey Ireland Licence Number EN 0074023

Rev. No.	Date	REVISION NOTE	Dm. By	Chkd. By
P1	07.07.2023	ISSUED FOR COORDINATION	SC	NB
P2	08.08.2023	ISSUED FOR PLANNING	SC	NB

Client	Keldrum Limited
Project	Large-scale Residential Development at Tinakilly, Wicklow
Title	Safety Barrier Details
Dep. No.	A034-CSC-ZZ-XX-DR-C-0041
Date	Oct 2022
Dm. by	SC
Chkd. by	NB
Apprd. by	OS
Scale	NOT TO SCALE
Revision	P2

CS Consulting Group
DUBLIN | LONDON | LIMERICK

Head Office
19-22 Dame Street, Dublin 2.
T: +353 (0)1 5480863
e: info@csconsulting.ie
w: www.csconsulting.ie

Quality Environment Health & Safety
IS. EN ISO 9001:2008
IS. EN ISO 14001:2004
IS. EN ISO 50001:2011
OHSAS 18001:2007